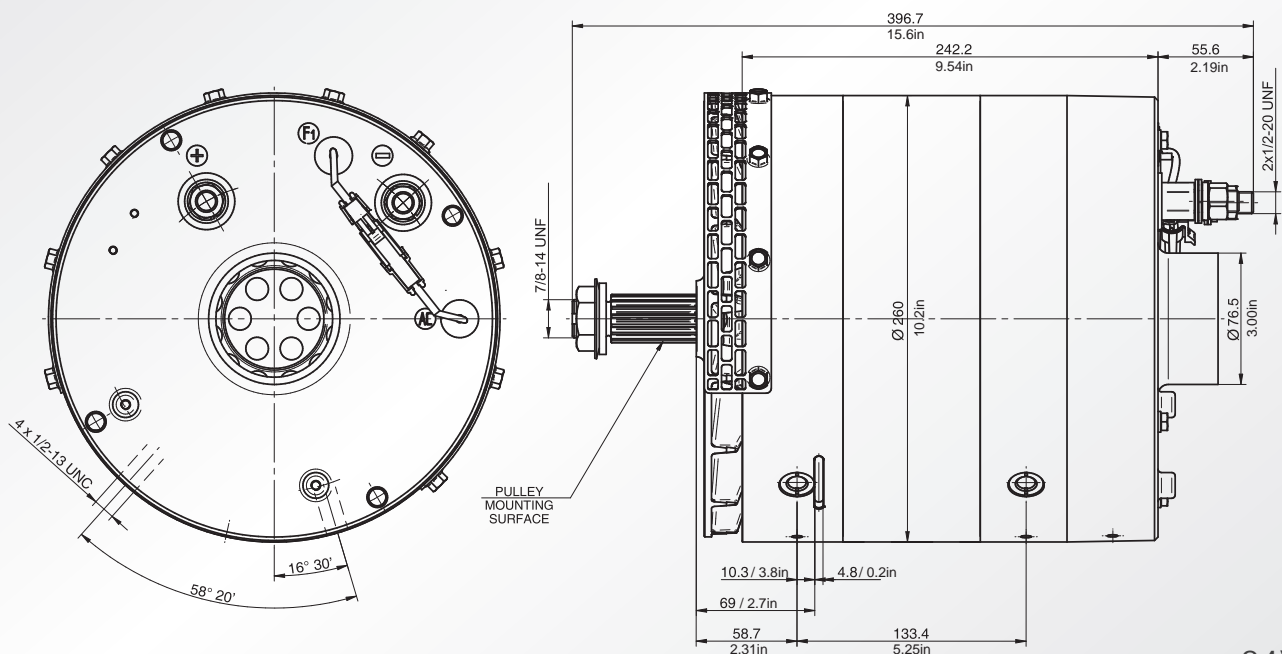


## HEAVY DUTY BRUSHLESS ALTERNATOR

The compact 25AT design Heavy Duty brushless alternator, is an innovative power generating system, best suited for applications demanding high output at low rpm. Thanks to the progressive hairpin stator technology and the technologically demanding high precision assembly process, this alternator is capable of reaching efficiency levels of over 84%. The impressive output at engine idle make this alternator a natural choice for a wide range of heavy duty and emergency vehicles.



### Cradle



24V  
540A / 590A / 640A / 690A

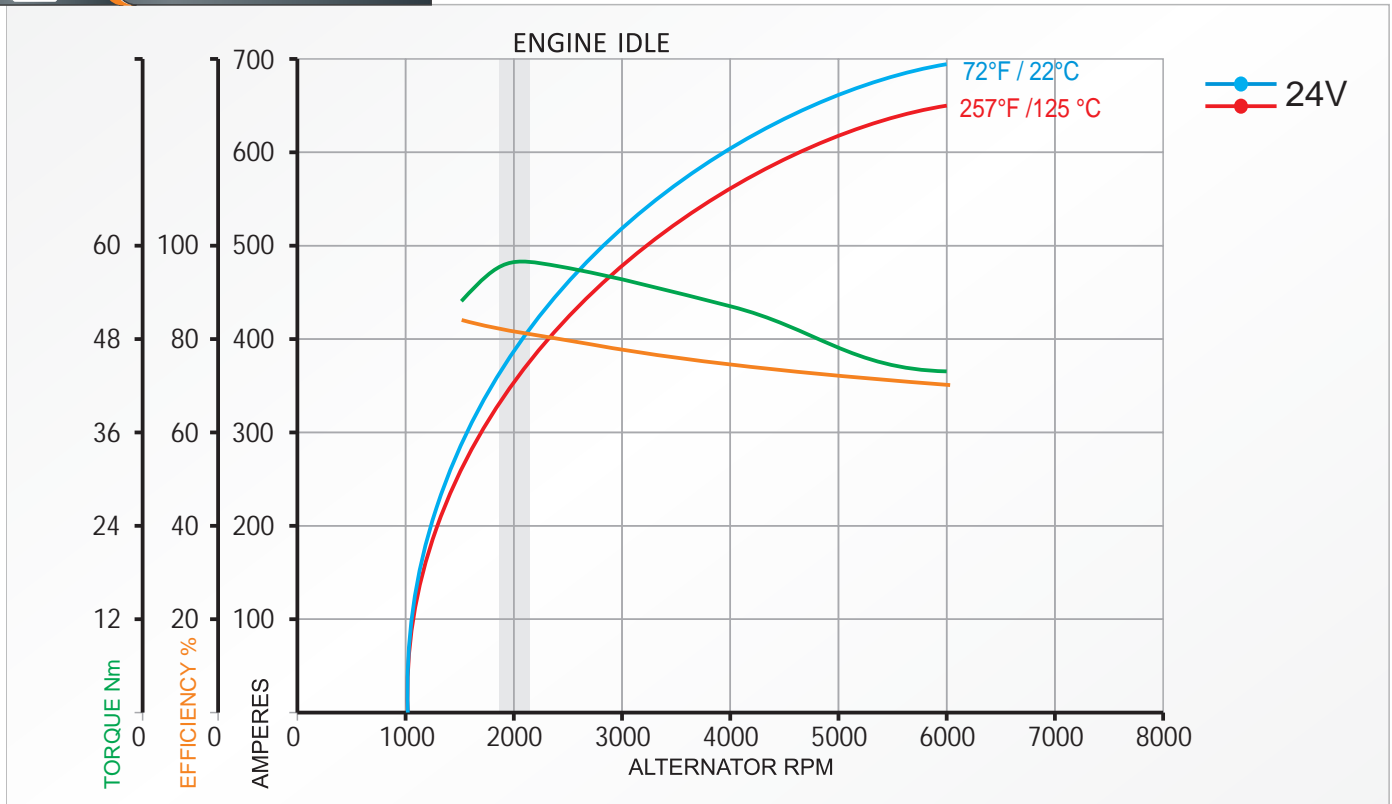


### Features

- High output at idle 2000 RPM
- Hairpin Stator
- High Efficiency over 84 %
- Low Inertia Advantage
- Air Cooled Alternator
- Compact Design
- Easy Installation

# Series25AT

## Performance Curve



## Specifications

<b>System Voltage</b>	24V	<b>Rotation:</b>	CW or CCW
<b>Rated Output:</b>	690A	<b>Mounting</b>	Cradle Style
<b>Output @ 2000 rpm:</b>	370A	<b>Speed limits:</b>	8000 RPM
<b>Temperature limits:</b>	-Low: -40°C	<b>Weight:</b>	48 kg
	-High: 125°C	<b>Regulator:</b>	External
<b>Ground:</b>	Negative/Isolated	<b>F1 &amp; AC:</b>	Interface Cable

## Applications

- Transit bus
- Construction
- Fire & Rescue
- Agriculture
- Military
- Mining



www.almott.net

## CONTACT US

Bulgaria,  
6006 Stara Zagora  
phone: +359 42 607 087  
sales@almott.net